

# MxP2188

8 x 8 Matrix Paging Controller

MATRIMIX PAGING SYSTEM

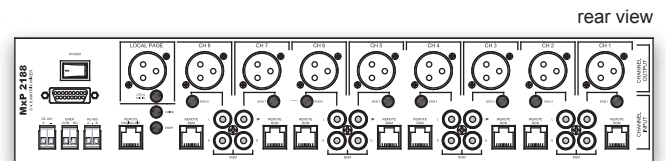


## FEATURES

- 8 input and 8 output Matrix controller with inputs of either Mic or BGM or fed from remote source panel
- Individual channel setup for bass, treble and volume
- Built in chime with selectable 2 or 4 tone output
- Built in voice recorder of up to 60 seconds
- Audio output monitor for every zone
- Remote triggering port for message and siren
- Priority override dry contact port whenever ALL CALL is triggered
- Microphone input for paging at rack
- Remote paging desk connectivity to Amperes PD1160

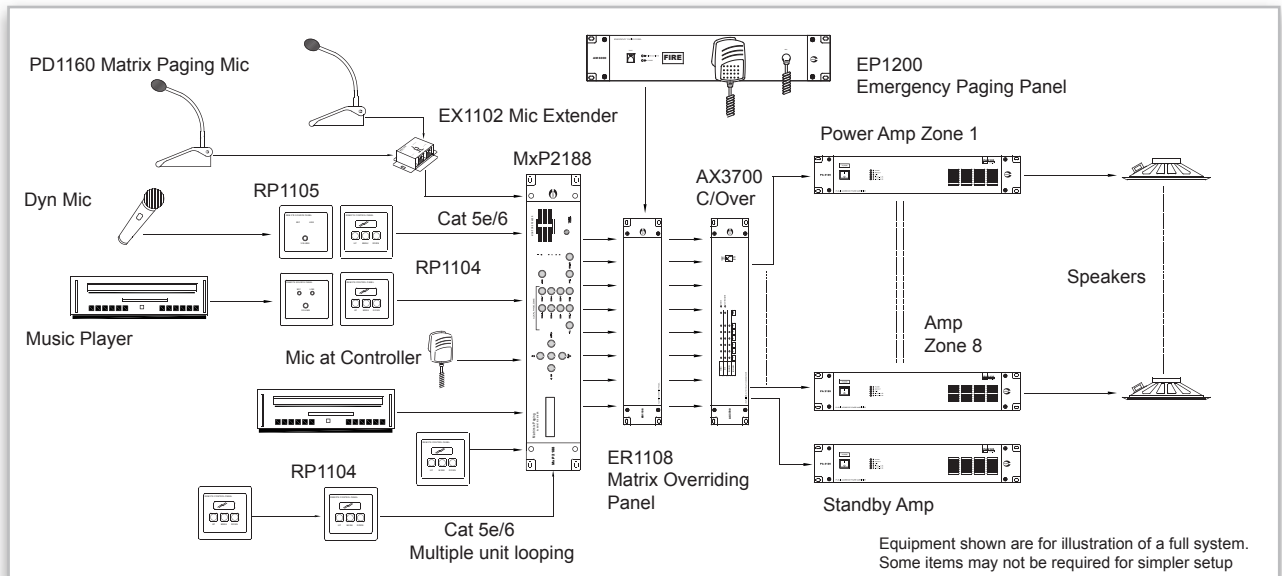
MxP2188 caters for a more delicate requirements of a PA system where every zone shall have flexibility over choice and taste of what should be listened to. It shall be able to cater for small installations of up to 16 zones requiring full matrix setup, such as office, club house, bungalow and entertainment centre.

While conventional matrix system only perform signal routing, MxP2188 does more than that. Essential features for a commercial PA system such as emergency overriding, remote mic zone selection, audio monitoring, chime and recording are available as an integral part of the unit.



MIXERS / DISTRIBUTIONS

## APPLICATION SCHEMATIC



## TECHNICAL SPECIFICATIONS

Configuration	8 x 8 ; Cascade to 8 x 16
Power source	24V DC ; 2A via adaptor
Inputs	8 local BGM - unbal. line or 8 remote BGM via RP1105 1 remote paging mic PD1160 1 local mic input
Input connections	RJ45 (remote ) / RCA jack XLR for local mic input
Input volume control	Manual adj. at each channel
Bass and treble control	+12 dB to -12 dB ; digital select
Phantom power	12V DC ( local mic in only )
Priority input	Local page, E/M message
Chime	2 or 4 tone built in
Message recording	60 secs max in single bank

Output	8 x balanced line output
Zone selection	Remote paging mic ( PD1160 ) ; Front panel with ALL CALL
E/M override contact	3A dry contact
Audio monitor	Source monitor with volume control via 3W speaker
Communication	RS485 ; 19.2 Kbps
Remote triggering	Siren ( ALL CALL ) Message ( ALL CALL / individual )
Dimensions (WxHxD)	482 x 88 x 300 mm
Weight	6.0 kg

packing information	Qty per carton : 1 unit
	W x H x D : 555 x 165 x 295 mm
	Weight : 7.2 Kg