



- PA310** : 10 W 4 Ohm Mini Amplifier
- PA320** : 20 W 4 Ohm Mini Amplifier
- PA330** : 30 W 100V Line Mini Amplifier

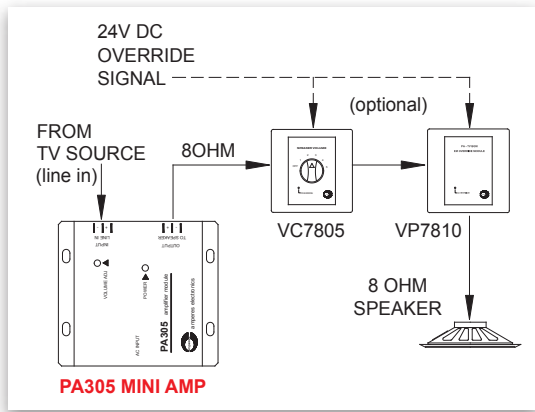
FEATURES

Available in 10 or 20W 4 Ohm rating or 30W 100V line
 Adjustable volume control for volume preset
 Compact size for easy installations

Amperes PA310 and 320 are mini amplifiers used to amplify BGM signal to a speaker of 4 or 8 Ohm, such as from TV output to a bathroom speaker in a hotel room. Amperes VC7805 volume controller and VP7810 BGM-Speaker patch panel can be installed if required to allow emergency paging to be announced at the speaker.

Other applications include simple mic calling system at counters or as an amplifier module to some other system which need to broadcast audio output to a speaker, ie. queue management system or telephone intercom.

APPLICATION SCHEMATIC



PA310



PA320



PA330

Amperes PA330 has higher rating of 30W 100V line which accepts unbalanced line input. It can be used as remote amplifier in a decentralised PA system. Among applications include classroom paging and paging for remote station.

Using TS6100 (step down module) shall allow PA330 to accept 100V line input and thereby a very large network of paging can be implemented in a wider area.

TECHNICAL SPECIFICATIONS

	PA310	PA320	PA330
Rating	10W 4 Ohm	20W 4 Ohm	30W 100V Line
Operating Voltage	230~240V ac		
Current consumption	0.06A	0.14A	0.17A
Input signal	Mono ; unbalanced line		
Input sensitivity	40 mV		
Max input	1.2 V		
Input impedance	150 K Ohm		10 K Ohm
Frequency response	100 - 18 KHz (+/- 3 dB)		150 - 15 KHz
Controls	Input volume preset		
Indications	Power LED		
Dimensions (WxHxD)	103 x 45 x 91	103 x 54 x 101	160 x 95 x 170
Weight (kg)	480 g	700 g	2.9 kg

no standard packing available

POWER AMPLIFIERS