



ZS5602 shall be suitable for uninterrupted paging setup, ie. when an announcement to a zone is made, other areas with BGM shall not be interrupted.

This shall require two sets of amplifiers connected to the ZS5601, thus the system shall consist of two sources, one being BGM and the other as Paging.

Similarly to ZS5601 / 5121, paging zone can be remotely triggered and each zone shall have separate amp input - zone output terminals, thus making it flexible for amp-zone configuration.

FEATURES

- Available in 6 zones for BGM and 6 for Paging with ALL CALL
- Expandable or link multiple units to form more zones
- Remote zone triggering port via external paging mic
- Emergency paging mic triggering port with dry contact for volume controller overriding application
- Aux DC output for selected paging zone
- Suitable for 3 or 4 wire system

TECHNICAL SPECIFICATIONS

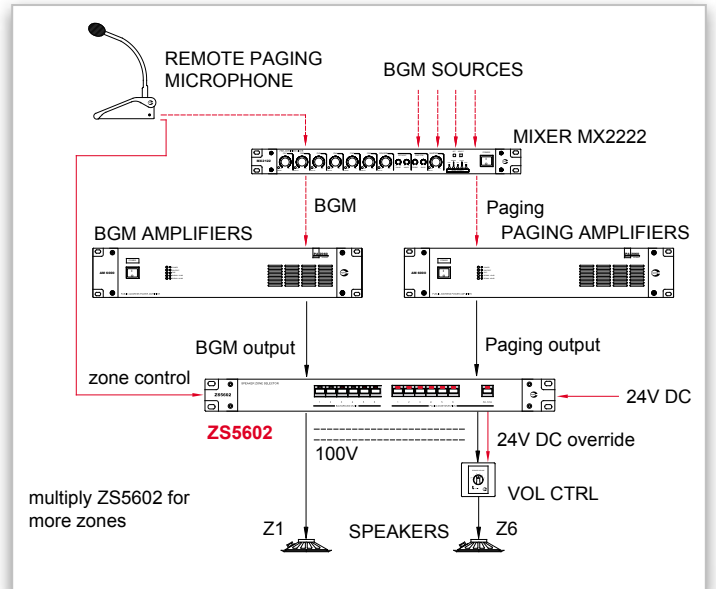
Operating voltage	24V DC ; 0.5 A
Power consumption	10W ; 0.42 A at ALL CALL
Insertion loss	0.5 dB max
Max load / channel	400W at 100V line
Number of zones	6
Amplifier inputs	6 BGM ; 6 Paging
Zone selection- BGM	Front panel switch
Zone selection - Paging	Front panel switch, remote
Indicators	Zone LED
Aux output voltage	24V DC ; 3A max / zone
Dimensions (WxHxD)	482 x 44 x 130 mm
Weight	1.9 kg

packing information

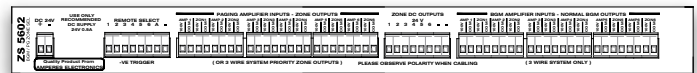
Carton Size : 555 (W) x 95 (H) x 295 (D) mm
 : 2.5 kg
 : 1 units / carton



APPLICATION SCHEMATIC



rear view



BGM SOURCE SELECTOR

SS6401 has 4 BGM source input via RCA jack with mono output suitable for PA system. Its has line balancing circuitry which provide equal output level no matter which input is selected, as different BGM source has different output level. This avoids the trouble to adjust mixer volume whenever a different source is changed.



SS6401 : 4 Input BGM Source Selector

FEATURES

- 4 input sources ; Cassette, CD, Tuner and Aux
- Input level balancing circuit for constant output level for different type of BGM source

TECHNICAL SPECIFICATIONS

Input voltage	24V DC ; 0.3 A
Consumption	0.15 A
Input level / Imp (max input)	CD : 2V / 47 K Ohm Tuner : 600 mV / 10 K Ohm Cassette : 500 mV / 10 K Ohm Aux : 1.25 V / 20 K Ohm
Input Connection	RCA mono
Output	RCA mono, 1V 600 Ohm
Gain (max)	CD : -6 dB / Tuner : 4 dB Cassette : 6 dB / Aux : -2 dB
Selection	Daisy chain
Dimensions (W x H x D)	482 x 44 x 65 mm
Weight	1.6 kg

