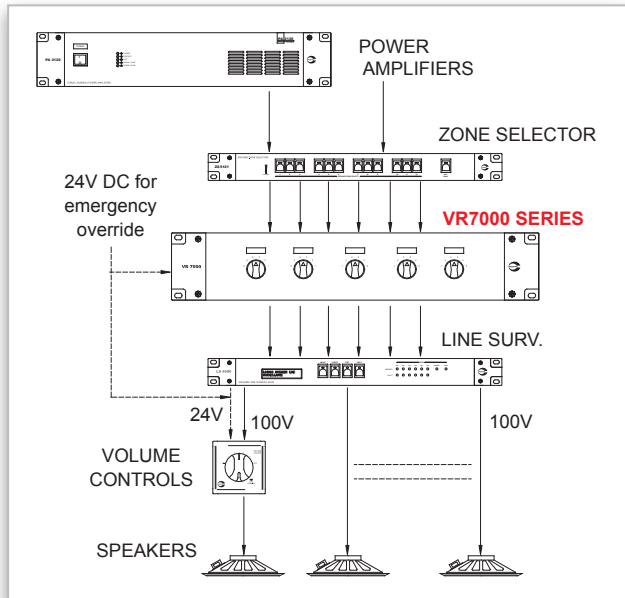




VARIANTS

- VR7605 - 6 Zone X 50W 100V Line
- VR7610 - 6 Zone X 100W 100V Line
- VR7615 - 6 Zone X 150W 100V Line

APPLICATION SCHEMATIC



VR should be installed before LS4600 to avoid false fault detection due to variation of impedance whenever volume is adjusted.

VR series is available in three variants with 6 zones at each panel. It shall be mounted at rack to enable volume of each zone to be controlled or set at the control room.

FEATURES

- 6 zones with 50 / 100/ 150 W 100V line rating for each zone
- Customised zone rating option available
- Suitable for 4 wire system : 2 :100V audio & 2 :24V DC overriding
- Built in overriding relay for emergency volume bypass

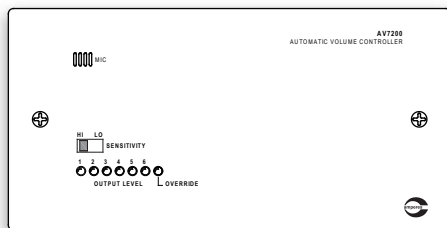
TECHNICAL SPECIFICATIONS

	VR7605 / VR7610 / VR7615
Power rating	50 / 100 / 150W 100V line / zone
Overriding voltage	24V DC
Overriding current	15 mA per channel
Attenuation	6 steps incl. OFF
Attenuation / step	6 dB / step
Attenuation method	Auto transformer
Size (W x H x D)	482 x 88 x 60 mm
Weight (kg)	3.4 / 4.5 / 4.8 kg

VOLUME CONTROLLER / PATCH

AV7200 : 100W 100V Line Auto Volume Controller

preliminary information



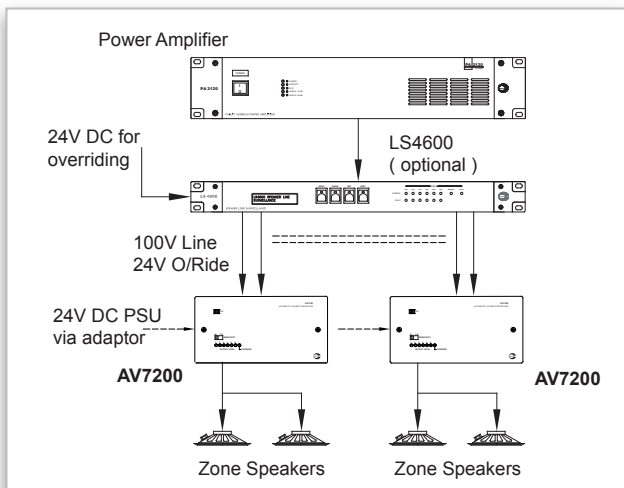
AUTO VOLUME CONTROLLER

There is always a need to regulate the speaker volume in areas which has significant variance of ambience noise level between different time in a day, such as in public area ie. bus station, airports, etc.

AV7200 controls the speaker volume automatically by reducing or increasing the 100V line output from amplifier to the localised area, which the unit shall be located. Unlike most AVC, AV7200 controls the 100V speaker line instead of audio signal prior to amplifier input.

This would enable the unit to be applied to existing system without having to run additional microphone cable to the main rack. It can be installed next to the existing volume controller at the particular area and powered by a 24V power adaptor. A significant cost saving shall be achieved with this method.

APPLICATION SCHEMATIC



FEATURES

- Installation at localised area (at existing volume controller) without additional cable re-run (easily retrofit to existing system)
- 100V speaker line control with 6 step attenuation
- Adjustable noise sensing sensitivity
- Built in overriding relay for emergency volume bypass

TECHNICAL SPECIFICATIONS

Power rating	100W 100V line
Operating voltage	24V DC : 40 mA
Attenuation	6 steps ; -6 dB per step
Emergency overriding	24V DC ; 0.15 A
Sensitivity adjustment	2 level
Size (front panel)	172 x 86 mm
Weight (excl. enclosure)	500 gms (est)