

new addition

fits to any wall, pleasing to every eyes



Suitable for installations in :

- Meeting room, boardroom, function hall
- Hotel lobby, club house, showroom
- Public areas such as airport, bus terminal, shopping mall
- Pub, lounge, restaurants
- Gyms, sports complex, arenas in array mode

FS338 is a new addition to the speaker series, built as multi purpose speaker, optimising the features of smooth and pleasant outlooks while maintaining the audio performance. Thus by its appearance and sound quality, it can be employed in most indoor venues.

It is driven by 2 x 4" PP speakers and a 1" tweeter with 40W 100V line power. It can also be driven directly from audio amplifier with 4 Ohm connections. Multiple power taping is available via the rotary switch from 5 to 40W 100V line.

Installation is rather flexible due to its dua angle mounting bracket. They can be mounted in horizontal or vertical position. If wider coverage is required, the can be installed in horizontal array format, with two, three or 360 degree format via the optional mounting pole.

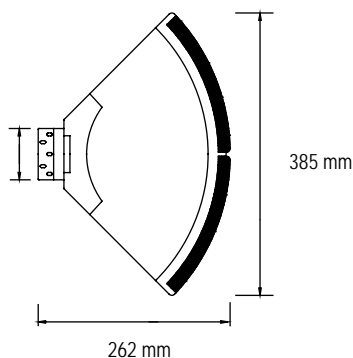


multiple power taps

mounting bracket



horizontal mounting



FEATURES

- 40W 100V line input or selectable 4 Ohm input
- 4 way selectable power taps
- 2 x 4" PP speaker with 1" tweeter
- Horizontal or vertical mounting
- Polar array setup with 2, 3 or 4 cabinets

TECHNICAL SPECIFICATIONS

SPEAKER	
Power rating	40W 100V max 60W
Driver	2 x 4" , 1" PZ tweeter
Cone type	PP
Impedance	8 Ohm (4 Ohm total)
Freq response (+/- 3 dB)	70 - 16 KHz
SPL @ 1W / m (+/- 3dB)1KHz	87 dB

TRANSFORMER	
Tapping (100V line)	5 / 10 / 20 / 40W
Primary impedance	2K / 1K / 500 / 250 Ohm
Secondary impedance	4 Ohm

MECHANICAL	
Grille / enclosure	Black metal / ABS
Mounting	Vertical / Horizontal
Overall size (WxHxD) mm	137 x 385 x 262
Weight	3.4 kg
Colour	Black