

# CM1400

---

## CHIME / SIREN TONE GENERATOR

# INSTRUCTION MANUAL



Version 1 / 062007  
Amperes Electronics Sdn Bhd  
509525-X

## PARTS IDENTIFICATIONS

---

### FRONT VIEW



### REAR VIEW



#### 1. POWER LED

It is to indicate the presence of 24V DC supply to the unit

#### 2. SIREN SWITCHES

The switches activate siren in constant or wavy mode. The activation is by latched switching which would turn off when released. Siren broadcast shall have priority over chime or tone activation.

#### 3. TONE / CHIME GENERATION

The activation is via momentary switches. While any of the tone is in active mode, pressing the siren shall bypass it. Tones available are 4 tone up / down, 2 tone, westminster and bell rings.

#### 4. POWER SUPPLY

The unit operates using 24V DC supply with rating of 0.3A.

#### **Warning :**

Do not connect the unit directly to back up batteries, as higher voltage in charging mode shall damage the unit.

We recommend Amperes PS9400 power supply unit or any other regulated 24V DC adaptor.

## PARTS IDENTIFICATION

---

### 5. REMOTE ACTIVATION PORT

Triggering of the siren / tone / chime can be done remotely. Use momentary contact for chime / tone and latched contact for siren. Features on activation remains the same as front switch triggering.

### 6. GAIN CONTROL

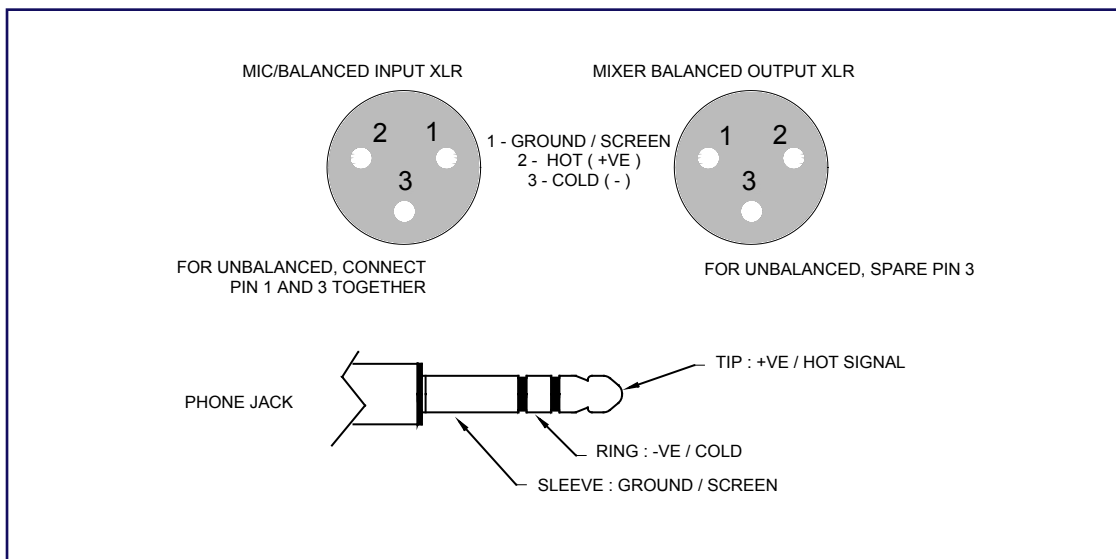
The output is line level, 0dB. Adjust the volume via this knob.

### 7. OUTPUT MODE

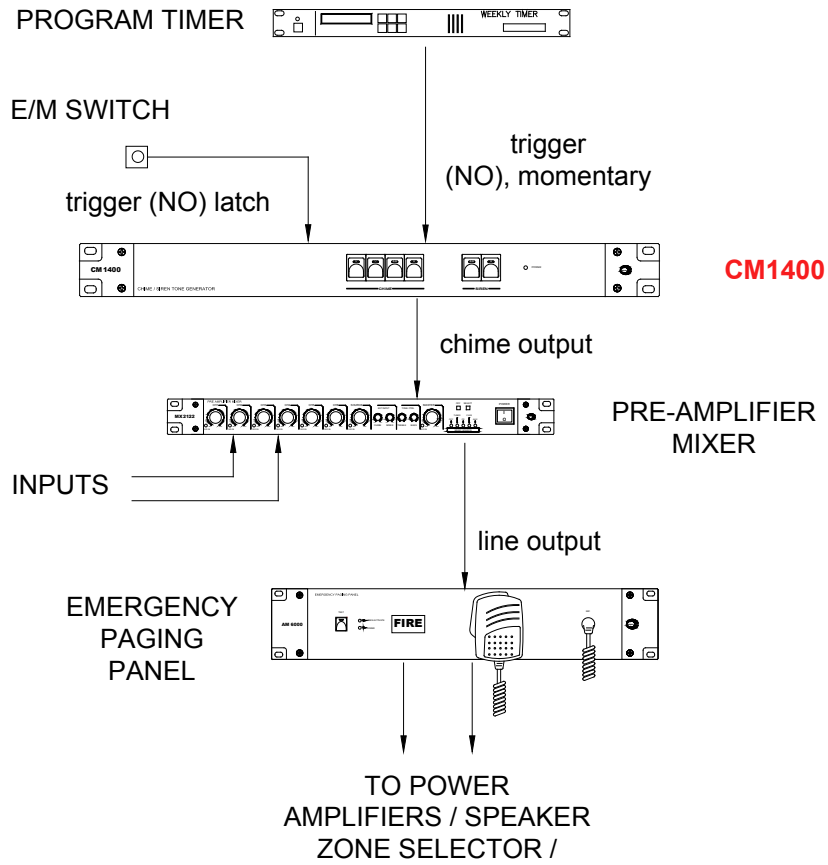
The user shall have option to have balanced or unbalanced output by using this switch.

### 8. OUTPUT JACK

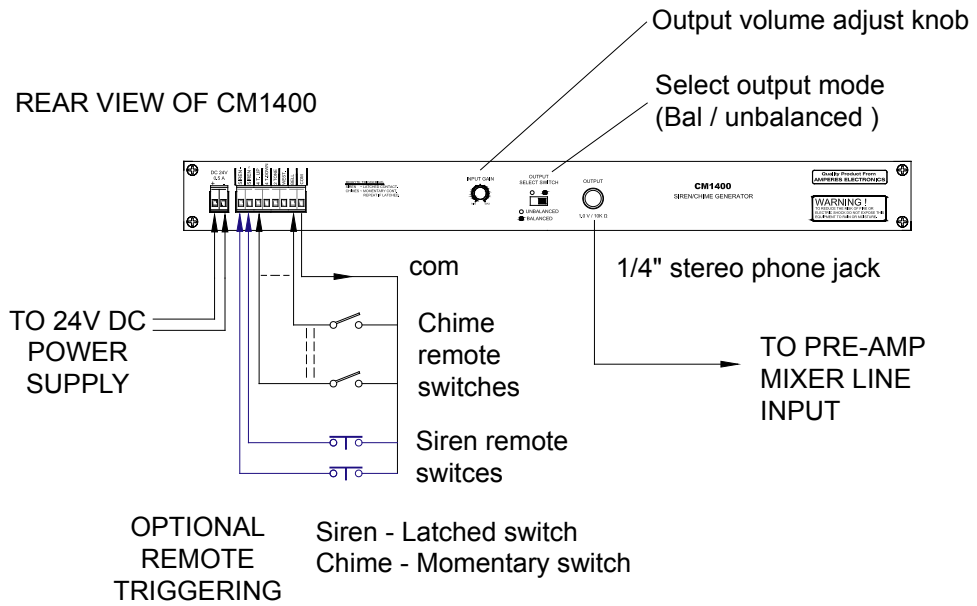
Output is via 1/4" stereo jack.



## SCHEMATIC DIAGRAM



## CONNECTING THE UNIT



## SUMMARY OF FEATURES

---

- Two siren types - Constant 8 KHz and Wavy
- Chime : 4 tone up ; 4 tone down and 2 tone up
- Westminster chime and ringing bell
- Adjustable volume with max line output level
- Remote activation via rear panel remote trigger port
- Balanced and Unbalanced output selection switch

## SUMMARY OF FEATURES

---

Operating voltage	24V DC ; 0.5A
Power consumption	0.3 A
Chime type	4 tone up, 4 tone down, 2 tone Ringing bell, Westminster
Siren type	Constant 8 KHz Wavy
External activation	Dry contact ; NO
Output	Line 1 V
Output impedance	10 K Ohm
Gain	+ 4 dB max
Dimensions	482 (W) x 44 ( H) x 90 ( D ) mm
Weight	1.6 kg

---

**BLANK PAGE**

## WARRANTY CONDITIONS

---

Only Amperes Electronics Service Centres are allowed to make warranty repairs : a list of Amperes Electronics Service Centres may be asked for by the purchaser or send directly to Amperes Electronics Sdn Bhd or its authorized master distributor. This warranty is not valid if repairs are performed by unauthorized personnel or service centres.

This warranty covers only repairs and replacement of defective parts ; cost and risks of transportation as well as removal and installation of the product from the main system are for the account of the purchaser. This warranty shall not extend to the replacement of the unit.

This warranty does not cover damages caused by misuse, neglect, accident of the product as well as using the product with power supply voltage other than shown on the product, or any other power supply source / adaptor not recommended by the manufacturer.

This warranty does not cover damages caused by fire, earthquakes, floods, lightning and every cause not directly related to the unit.

This warranty does not include any indemnity in favor of the purchaser or the dealer for the period out of use of the unit; moreover the warranty does not cover any damages which may be caused to people and things when using the product.

This warranty certificate is valid only for the described product, and is not valid if modifications are made on this certificate or on the identification label applied on the product.

This warranty covers all the material and manufacturing defects and is valid for a period of 12 months from the date of purchase or for a longer period in countries where this is stated by a national law. In this case, the extension is valid only in the country where the product is purchased.

Amperes Electronics Sdn Bhd is not obliged to modify previously manufactured products under warranty if the design changes or improvements are made.

## DISCLAIMER

---

Information contained in this manual is subject to change without prior notice and does not represent a commitment on the part of the vendor. AMPERES ELECTRONICS SDN BHD shall not be liable for any loss or damages whatsoever arising from the use of information or any error contained in this manual.

It is recommended that all services and repairs on this product be carried out by AMPERES ELECTRONICS SDN BHD or its authorized service agents.

AMPERES series must only be used for the purpose they were intended by the manufacturer and in conjunction with this operating manual.

AMPERES ELECTRONICS SDN BHD cannot accept any liability whatsoever for any loss or damages caused by service, maintenance or repair by unauthorized personnel, or by use other than that intended by the manufacturer.