



instruction manual

version 1/04



PM 1000 Chime Desktop Paging Microphone

Thank you for choosing another quality product from Amperes Electronics.

PM1000 desktop paging microphone is designed for today's paging needs, simple, elegant and user friendly. Their balanced output allows long distance audio transmission, ideal for professional requirement without having to spend extra for audio conversion.

Though it is rather simple in the installation works, a brief read through the manual is recommended and we are confident that you are getting a product of excellence.

PARTS IDENTIFICATIONS

1. GOOSENECK MICROPHONE

The illuminated cardioid gooseneck microphone can be detached from the console for safekeeping.

2. TALK SWITCH

The momentary direct talk switch activates the mic without pre-announcement chime.

3. CHIME - TALK SWITCH

When press once, a pre-announcement chime shall be broadcasted prior to activation of microphone. A downward 4 tone chime shall follow when pressed again before the unit shuts down.

4. DRY CONTACT

Upon activation of the microphone, a dry contact shall be provided at this port. This shall be useful when it is used as emergency remote paging microphone or to activate ALL CALL. Apart from that, a dry contact can be use for many other purposes.

5. 12V DC POWER SUPPLY

PM1000 operates using external 12V DC power supply. An AC/DC power adaptor is provided.

6. AUDIO OUTPUT JACK

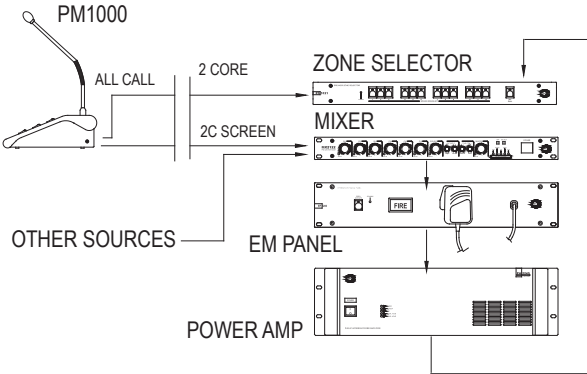
Output from the unit is balanced Mic level (0.775V), suitable for most professional needs in long distance connection and input to pre-amplifier mixer. A 1/4" stereo phone jack is required.

7. CHIME AND MIC LEVEL CONTROL

It is for control of chime and microphone sensitivity level.



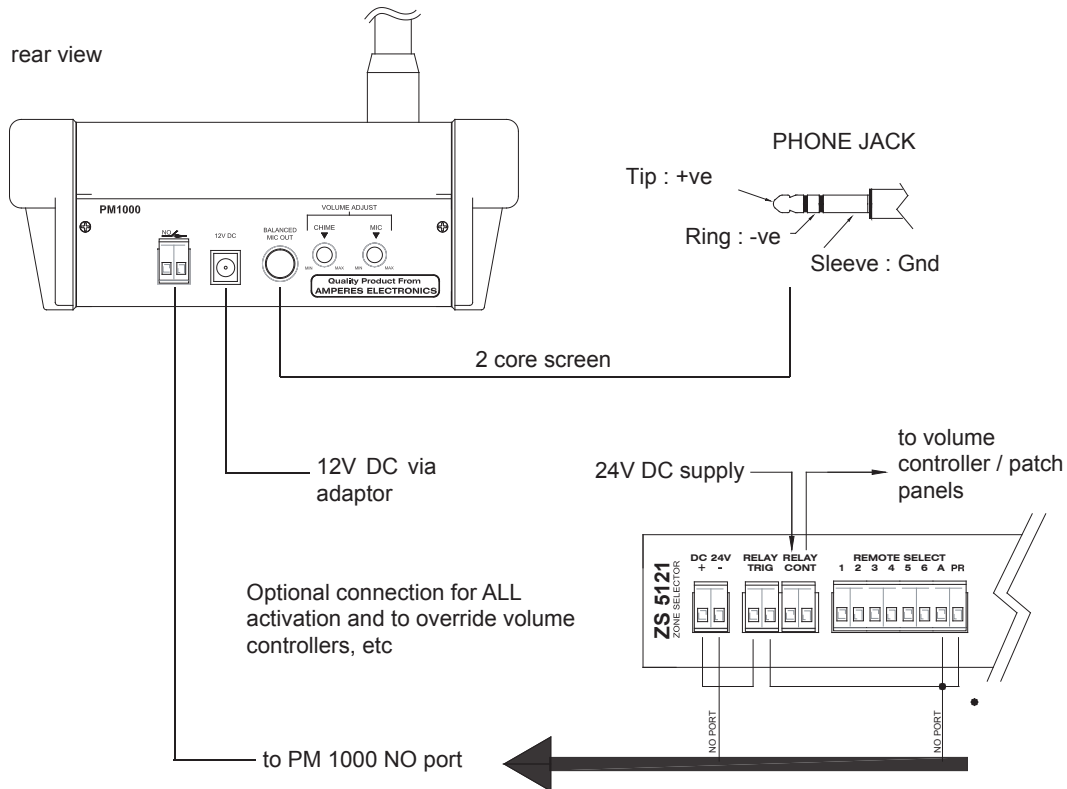
GENERAL APPLICATION SCHEMATIC



Speaker output connection from zone selector not shown.

ALL CALL connection from PM1000 to Zone Selector is optional.

CONNECTING THE UNIT



TECHNICAL SPECIFICATIONS

System	Condenser microphone, cardioid.
Output impedance	600 Ohm
Output level	Mic Level : Balanced
Output level controls	Chime and mic
Chime	4 tone (Up and Down)
Frequency response	100 - 12 k Hz
Signal to Noise Ratio	60 dB
Indicators	Chime active, Ready to talk Gooseneck mic LED upon activation
Power supply	12V DC
Power consumption	50 mA
Output connection	1/4" stereo phone jack
Operating distance (controls)	Up to 30 m
Max Output distance	Up to 100 metres.
Dimensions	174(w) x 178(d) x 62(h) excluding microphone
Gooseneck mic length	300 mm
Weight	850 gms



WARRANTY CONDITIONS

Only Amperes Electronics Service Centres are allowed to make warranty repairs : a list of Amperes Electronics Service Centres may be asked for by the purchaser or send directly to Amperes Electronics Sdn Bhd at 70 Jalan Industri PBP 3, Tmn Perindustrian Pusat Bandar Puchong, 47100, Puchong, Selangor, Malaysia or its authorized master distributor, Amperes Global Marketing. This warranty is not valid if repairs are performed by unauthorized personnel or service centres.

This warranty covers only repairs and replacement of defective parts ; cost and risks of transportation as well as removal and installation of the product from the main system are for the account of the purchaser. This warranty shall not extend to the replacement of the unit.

This warranty does not cover damages caused by misuse, neglect, accident of the product as well as using the product with power supply voltage other than shown on the product, or any other power supply source / adaptor not recommended by the manufacturer.

This warranty does not cover damages caused by fire, earthquakes, floods, lightning and every cause not directly related to the unit.

This warranty does not include any indemnity in favor of the purchaser or the dealer for the period out of use of the unit; moreover the warranty does not cover any damages which may be caused to people and things when using the product.

This warranty certificate is valid only for the described product, and is not valid if modifications are made on this certificate or on the identification label applied on the product.

This warranty covers all the material and manufacturing defects and is valid for a period of 12 months from the date of purchase or for a longer period in countries where this is stated by a national law. In this case, the extension is valid only in the country where the product is purchased.

Amperes Electronics Sdn Bhd is not obliged to modify previously manufactured products under warranty if the design changes or improvements are made.

DISCLAIMER

Information contained in this manual is subject to change without prior notice and does not represent a commitment on the part of the vendor. AMPERES ELECTRONICS SDN BHD shall not be liable for any loss or damages whatsoever arising from the use of information or any error contained in this manual.

It is recommended that all services and repairs on this product be carried out by AMPERES ELECTRONICS SDN BHD or its authorized service agents.

AMPERES series must only be used for the purpose they were intended by the manufacturer and in conjunction with this operating manual.

AMPERES ELECTRONICS SDN BHD cannot accept any liability whatsoever for any loss or damages caused by service, maintenance or repair by unauthorized personnel, or by use other than that intended by the manufacturer.

